

# URE/URGS/URZ

# SEMICONDUCTOR PROTECTION FUSES



### PROTISTOR® FUSES

250V AC

URE/URGS/URZ from 5 up to 180A

SIZES: 10 X 28 - 17 X 27

#### Features/Benefits

- **Extremely high Interrupting rating Fuses:**  
Protection of power Semiconductors according to IEC 269.1 and 4
- **250V Voltage Rating** according to IEC 33
- **gR Class** (Ratings from 5 to 32A) according to VDE 636-23 and IEC 269.4
- Model according to NF C 63210 and 63211 with built-in blown trip-indicator
- 17X27 are UL Recognized



### APPLICATIONS DATA

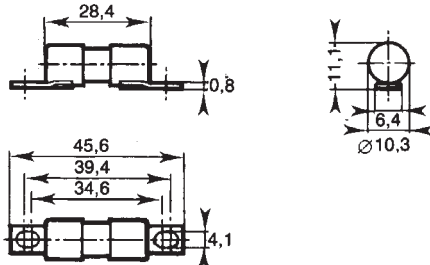
Voltage rating $U_N$ (V)	Size	Class	Current rating $I_N$ (A)	Melting $I^2t @ 1\text{ ms}$ $I^2t_p$ (A <sup>2</sup> s)	Total clearing $I^2t @ U_N$ A <sup>2</sup> s		Watt losses		Tested interrupting rating	
					$I_p \leq 30 I_N$	$I_p > 30 I_N$	$0.8 I_N$	$I_N$		
250 V	10x28	URE	5	1.3	10	11	0.6	1	160 kA @ 250 V	
			6	1.8	13	15	0.7	1.2		
			10	2.4	18	20	1.2	2.1		
			12	4.3	28	33	1.6	2.8		
			15	6.7	41	48	2.0	3.5		
			20	15.0	85	100	2.2	4.0		
			25	27.0	135	160	2.6	4.7		
			32	53.0	240	280	3.0	5.4		
	17x27	URGS	7	1.3	8,5	9,8	0.56	1	160 kA @ 250 V	
			10	4.5	21	23,8	0.84	1.5		
			12	5.9	27	31	1.1	2.0		
			16	11.2	50	59	1.7	3.0		
			20	15.6	80	100	2.2	3.9		
			25	30.0	130	160	2.7	4.8		
			30	45.0	195	235	3.2	5.6		
			35	63.0	270	330	3.7	6.5		
		URZ	50	180.0	790	940	4.9	8.8	160 kA @ 250 V	
			60	250.0	1100	1310	5.8	10.4		
			75	380.0	1670	1990	7.2	13.6		
			80	480.0	2100	2530	7.25	13.7		
			100	730.0	3350	4060	6.5	11.5		160 kA @ 250 V
			125	850.0	5720	6920	6.7	12.3		
			150	1250.0	7930	9590	7.4	13.6		
			160	1730.0	9600	11700	8.8	15.6		
	180	2090.0	14500	17500	9.5	17				

# URE/URGS/URZ

# SEMICONDUCTOR PROTECTION FUSES

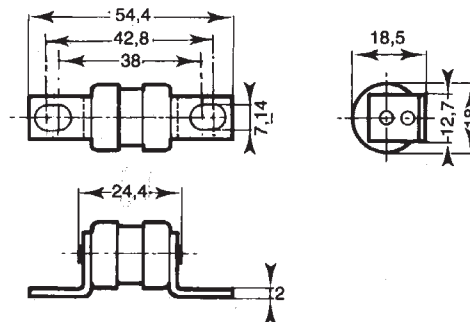
## PART NUMBERS

**CP 10x28 - Without trip-indicator**



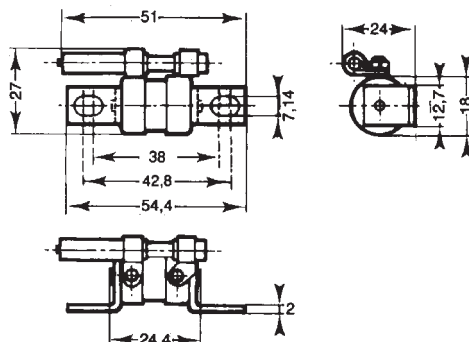
SIZE	CATALOG NO.	REF #
10x28	2.5 URE 10/5	M 082489
	2.5 URE 10/6	E 097478
	2.5 URE 10/10	L 082488
	2.5 URE 10/12	P 097487
	2.5 URE 10/15	K 082487
	2.5 URE 10/20	J 082486
	2.5 URE 10/25	X 097494
	2.5 URE 10/32	N 081984

**CP 17x27 - Without trip-indicator**



SIZE	CATALOG NO.	REF #
17x27 	2.5 URGS 17/7	M 076647
	2.5 URGS 17/10	N 076648
	2.5 URGS 17/12	P 076649
	2.5 URGS 17/16	Q 076650
	2.5 URGS 17/20	L 097507
	2.5 URGS 17/25	R 076651
	2.5 URGS 17/30	S 076652
	2.5 URGS 17/35	T 076653
	2.5 URGS 17/50	V 076654
	2.5 URGS 17/60	W 076655
	2.5 URGS 17/75	X 076656
	2.5 URGS 17/80	Z 085559
	2.5 URZ 17/100	Y 085558
	2.5 URZ 17/125	G 097526
	2.5 URZ 17/150	W 085556
	2.5 URZ 17/160	F 097527
2.5 URZ 17/180	N 097532	

**CP 17x27 - With separated trip-indicator**



SIZE	CATALOG NO.	REF #
17x27	2.5 URGS 17 P 7	P 097533
	2.5 URGS 17 P 10	Q 097534
	2.5 URGS 17 P 12	S 097536
	2.5 URGS 17 P 16	X 097540
	2.5 URGS 17 P 20	B 097544
	2.5 URGS 17 P 25	D 097546
	2.5 URGS 17 P 30	E 097547
	2.5 URGS 17 P 35	F 097548
	2.5 URGS 17 P 50	J 097551
	2.5 URGS 17 P 60	H 081082
	2.5 URGS 17 P 75	K 097552
	2.5 URGS 17 P 80	L 097553
	2.5 URZ 17 P 100	P 097556
	2.5 URZ 17 P 125	Q 097557
	2.5 URZ 17 P 150	R 097558
	2.5 URZ 17 P 160	S 097559
2.5 URZ 17 P 180	T 097560	

Microswitch MC 6.3 GR 2.5N

