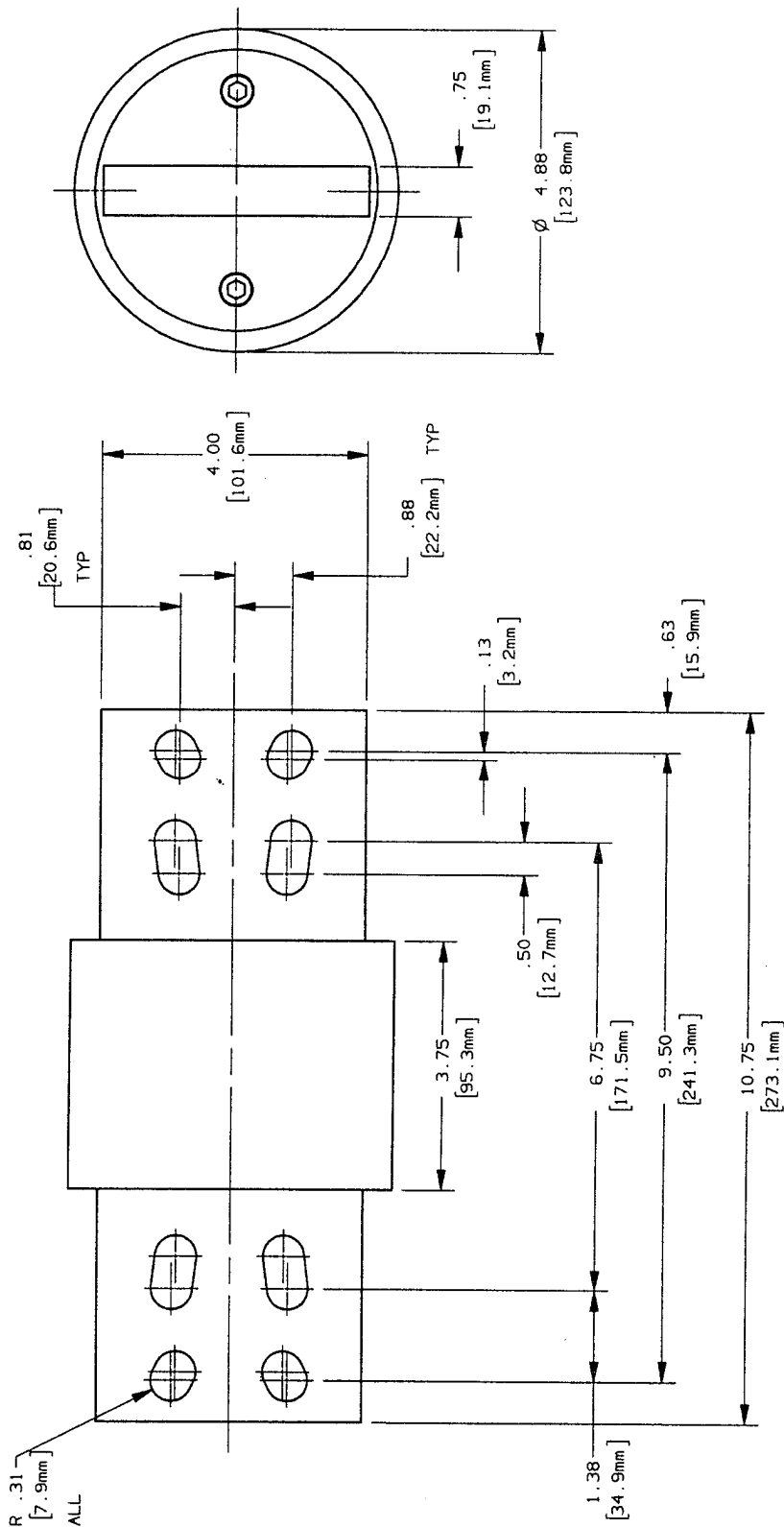


CONTROL No.: 472

REV	DATE	ECO	DESCRIPTION	BY	CHK APP
A	4/5/04	NA	REDRAWN-WAS ON 24320 REV - TUBE OD WAS 5.00	ELO	NA NA



Ferraz Shawmut FERRAZ SHAWMUT INC. 374 MERRIMAC STREET NEWBURYPORT, MA 01950	PRODUCT MANAGER SIGN: <i>[Signature]</i> DATE: 4/13/04	A4BQ3000 FORM 480 CLASS L 3000A 600VAC, 500VDC	OUTLINE DIMENSIONS NOT TO BE USED FOR PRODUCTION
	DESIGN ENGINEER SIGN: <i>[Signature]</i> DATE: 4/13/04		24320