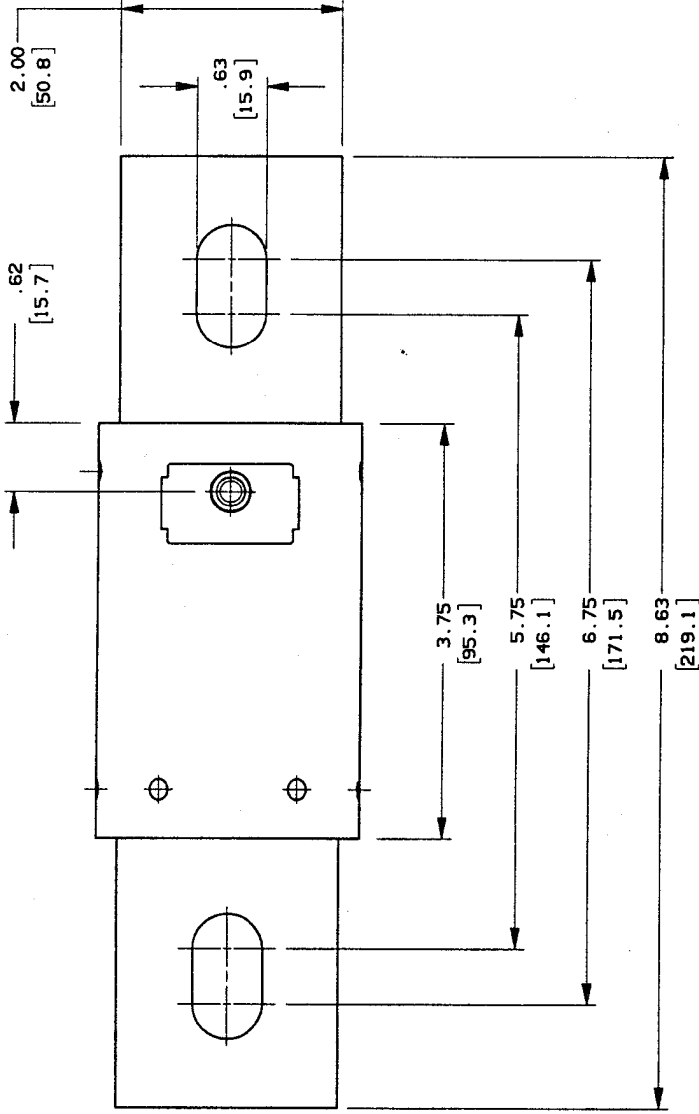
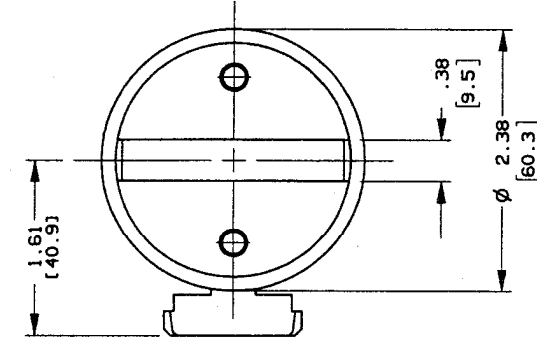


CONTROL No.: 471

REV	DATE	ECO	DESCRIPTION	BY	CHK	APP
A	4/5/04	NA	TUBE OD WAS 2.50 1.61 WAS 1.67	ELO	NA	NA



FERRAZ SHAWMUT, INC.  
374 MERRIMAC STREET  
NEWBURYPORT, MA 01950

PRODUCT MANAGER

DESIGN ENGINEER

SIGN: *[Signature]*  
DATE: 4/14/04

SIGN: *[Signature]*  
DATE: 4/13/04

A4BQ(601-800) TYPE TA  
TIME DELAY  
601-800A 600VAC

OUTLINE DIMENSIONS  
NOT TO BE USED FOR PRODUCTION

700762