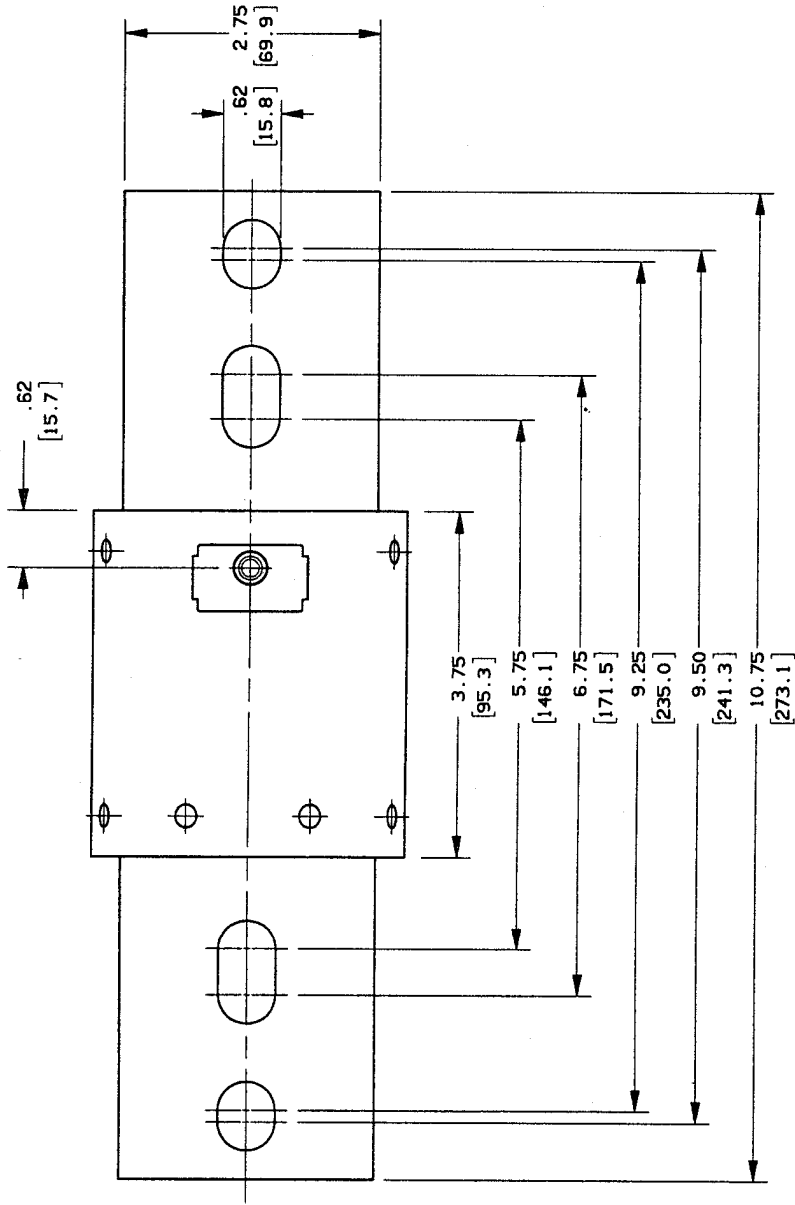
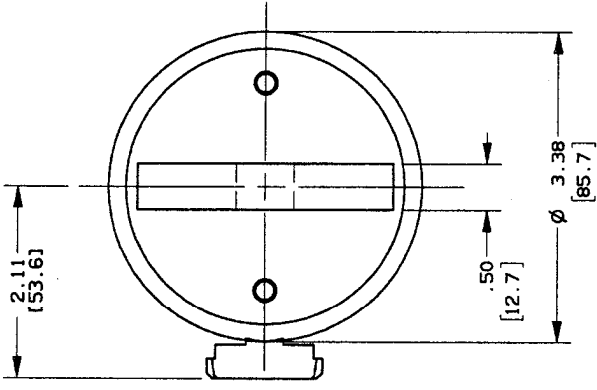


CONTROL No.: 471

REV	DATE	ECO	BY	CK	APP
A	4.5.04	NA	ELO	NA	NA



**Ferraz Shawmut**  
 FERRAZ SHAWMUT, INC.  
 374 MERRIMAC STREET  
 NEWBURYPORT, MA 01950

PRODUCT MANAGER  
 SIGN: *[Signature]*  
 DATE: 4/13/04

DESIGN ENGINEER  
 SIGN: *[Signature]*  
 DATE: 4/13/04

A4BQ(1601-2000) TYPE TA  
 TIME DELAY  
 1601-2000A 600VAC

OUTLINE DIMENSIONS  
 NOT TO BE USED FOR PRODUCTION

700765