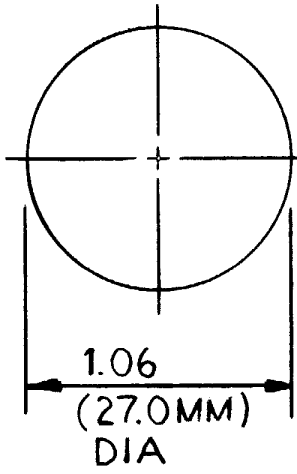
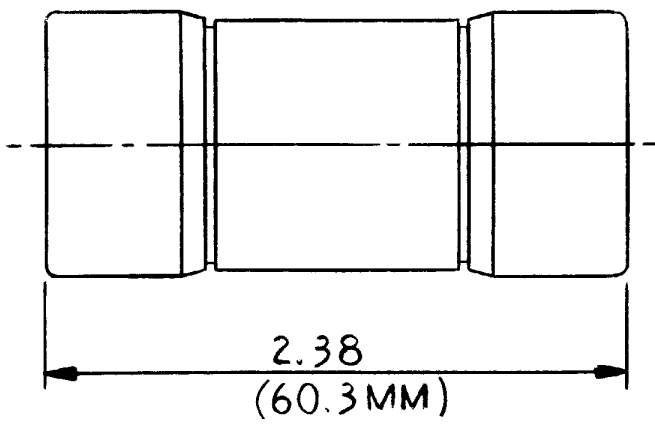



REV	DESCRIPTION
-----	-------------



AMP RATING
35
40
45
50
60

 GOULD	GOULD INC. ELECTRIC FUSE DIVISION 374 MERRIMAC ST. NEWBURYPORT MA 01950 MANUFACTURER OF CHASE - SHAWMUT PRODUCTS		
	OUTLINE DIMENSIONS TIME DELAY "J" 31-60A 600V		
PART	AJT (AMP RATING)		
DRWN	J. BROWN 9-14-81	17928	
CHKD	A.R.F. 10-21-81		
APPD		SCALE	N T S A REV