

PCF SERIES

PC MOUNT FUSES



FAST ACTING FUSES FOR DIRECT MOUNTING ON PRINTED CIRCUIT BOARDS

Ferraz Shawmut's new PCF series of fast-acting direct-mountable fuses addresses the increasing need for electrical protection at the PC board as current and voltage requirements push higher. These fuses help printed circuit board manufacturers reduce parts by eliminating clips and fuse blocks and allowing automated assembly. PCF fuses can be used for the protection of main frame power boards, small circuit breakers with low interrupting ratings and other critical components. PCF fuses bring greatly increased ampere, voltage and interrupting ratings to the board itself and are UL Component Recognized.



HIGHLIGHTS:

- Fast Acting
- PC Board Mount
- Three Mounting Styles

APPLICATIONS:

- Protection of main frame power boards, circuit breakers, components

Ratings

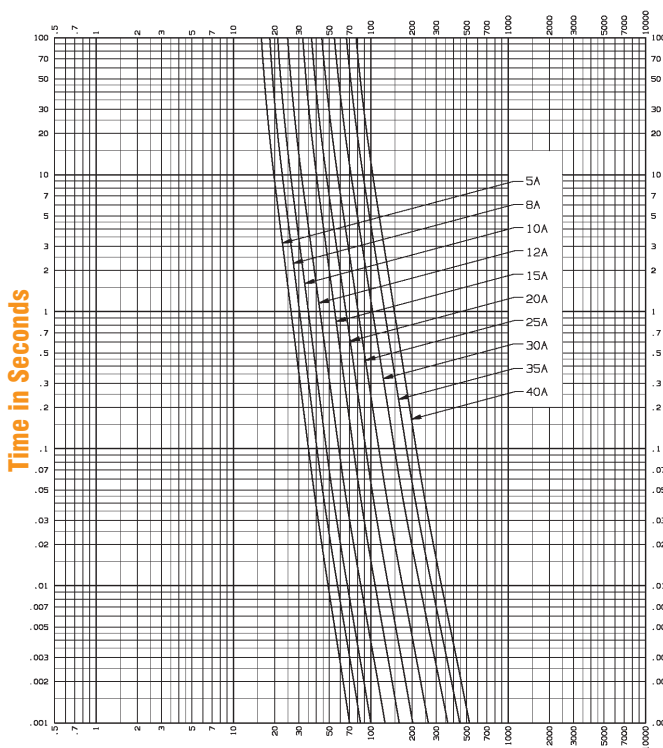
- **AC:** 1 to 30A
600VAC, 100kA I.R.
- **DC:** 1 to 30A
600VDC, 100kA I.R.
L/R ≤10ms

Approvals

- UL Recognized
Components File E60314



Melting Time – Current Data



Current in Amperes

Standard Fuse Ampere Ratings, Catalog Numbers

AMPERE RATING	CATALOG NUMBER	AMPERE RATING	CATALOG NUMBER
Slot Mount			
1	PCF1-R	8	PCF8-R
2	PCF2-R	10	PCF10-R
3	PCF3-R	12	PCF12-R
4	PCF4-R	15	PCF15-R
5	PCF5-R	20	PCF20-R
6	PCF6-R	25	PCF25-R
7	PCF7-R	30	PCF30-R
Double Hole Mount			
1	PCF1-H	8	PCF8-H
2	PCF2-H	10	PCF10-H
3	PCF3-H	12	PCF12-H
4	PCF4-H	15	PCF15-H
5	PCF5-H	20	PCF20-H
6	PCF6-H	25	PCF25-H
7	PCF7-H	30	PCF30-H
30/50	PCF30/50-H		
Surface Mount			
1	PCF1-S	8	PCF8-S
2	PCF2-S	10	PCF10-S
3	PCF3-S	12	PCF12-S
4	PCF4-S	15	PCF15-S
5	PCF5-S	20	PCF20-S
6	PCF6-S	25	PCF25-S
7	PCF7-S	30	PCF30-S

Dimensions of the PCF Series are found on page C 29

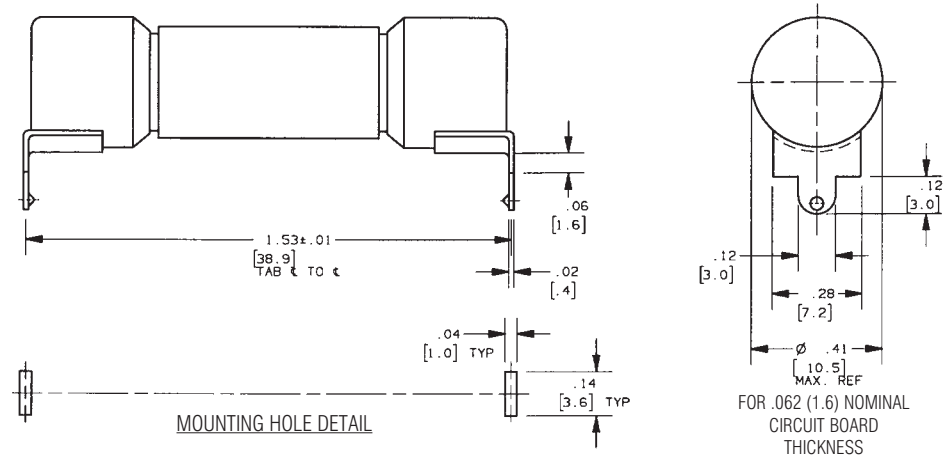
PCF/PCS/PCT SERIES

PC MOUNT FUSES

Outline Dimensions

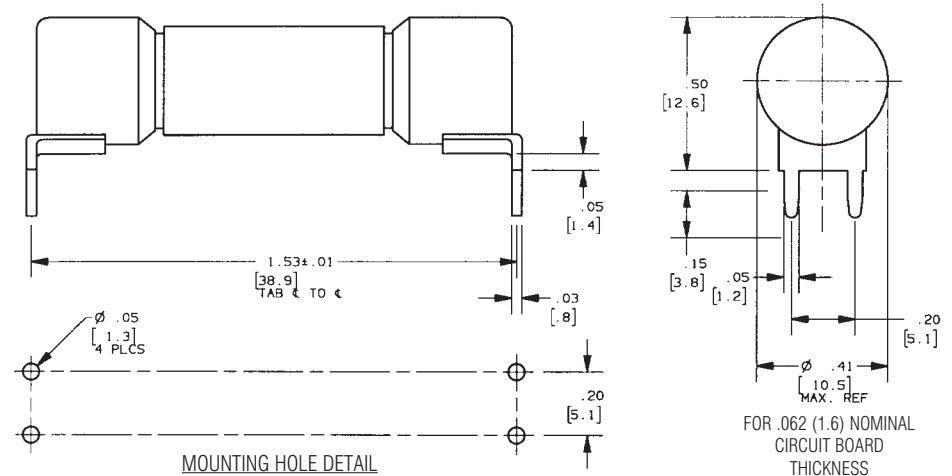
PCF1-R thru PCF30-R
PCS5-R thru PCS40-R
PCT1-R thru PCT30-R

Slot Mount (Rectangular Holes)



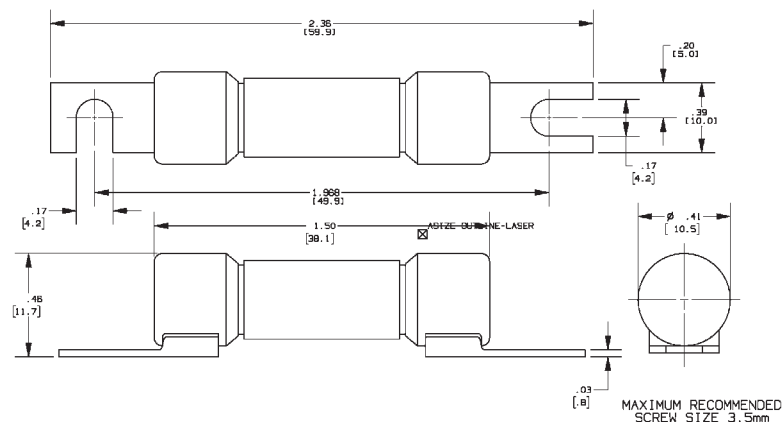
Double Hole Mount (Round Holes)

PCF1-H thru PCF30-H
PCS5-H thru PCS40-H
PCT1-H thru PCT30-H



Surface (Screw) Mount

PCF1-S thru PCF30-S
PCS5-S thru PCS40-S
PCT1-S thru PCT30-S



MAXIMUM RECOMMENDED
SCREW SIZE #6 (3.5mm)